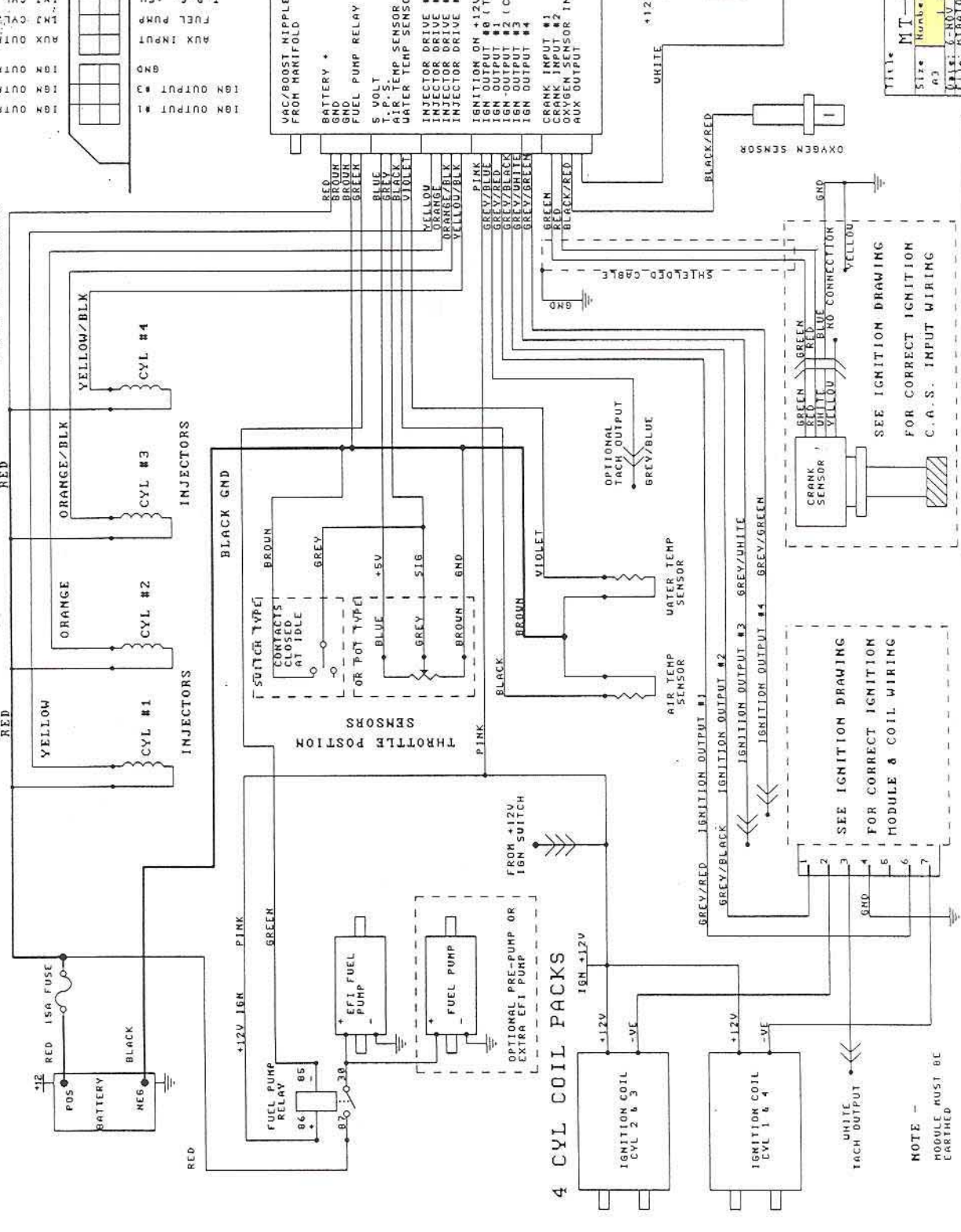
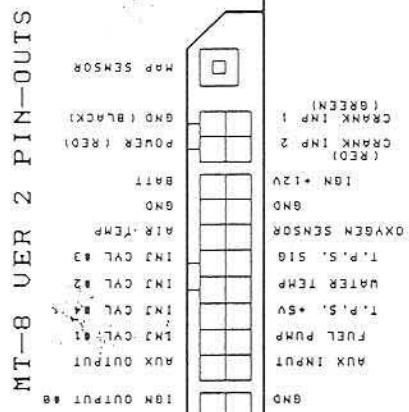


MICROTECH 4 CYL SEQUENTIAL ENGINE MANAGEMENT SYSTEM

N. B.
PER INJECTOR BANK
USE ONLY -
1 X 2 OHM INJECTORS
2 X 2 OHM INJECTORS
4 X 12 OHM INJECTORS



NOTE -
MODULE MUST BE
EARTHED

SEE IGNITION DRAWING
FOR CORRECT IGNITION
MODULE & COIL WIRING

SEE IGNITION DRAWING
FOR CORRECT IGNITION
C.A.S. INPUT WIRING

Title		MT-8 4 CYL TOYOTA	
Size	Number	Revision	
A3	VER 2.0	1.0	
DATE: 7 NOV 1988 BY: 24 X SPEED			
DRAWN: 1.07			
CHECKED: 1.07			