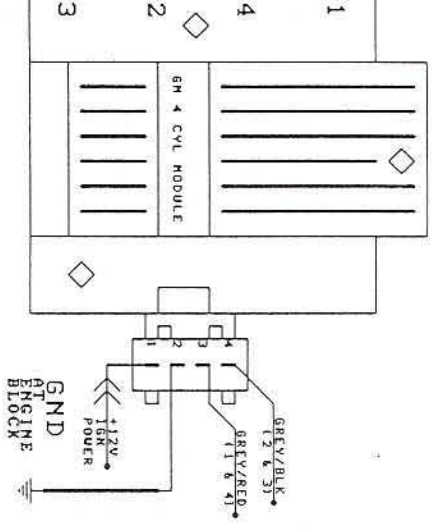


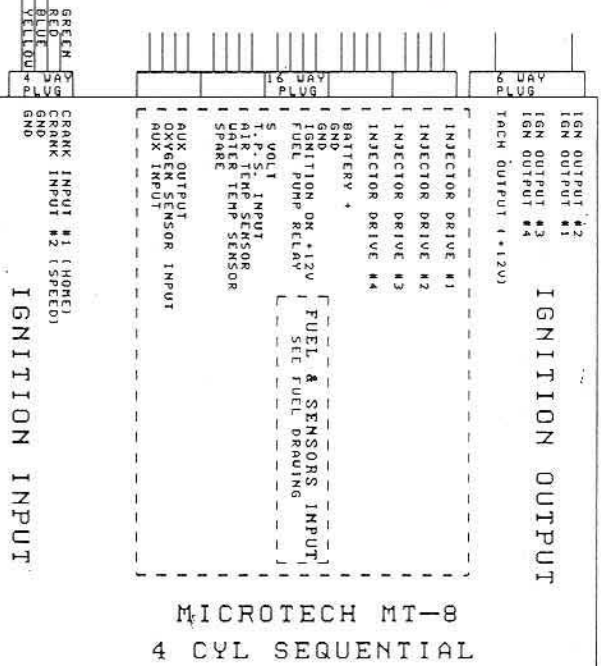
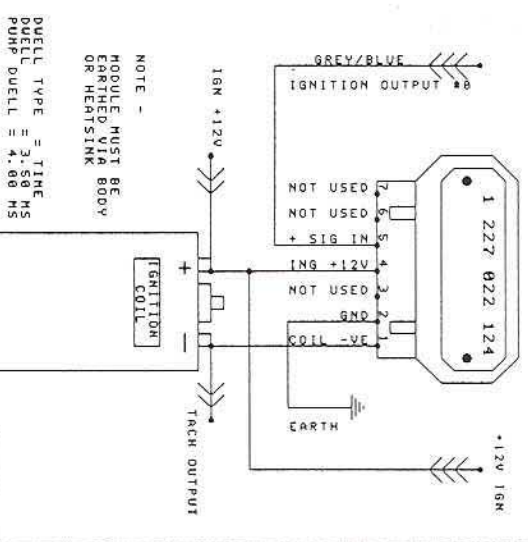
MICROTECH MT-8 4CYL SEQUENTIAL ENGINE MANAGEMENT SYSTEM

IGNITION DRAWING

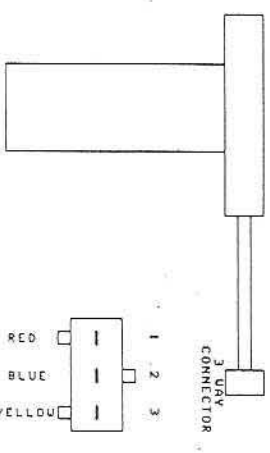
4 CYL COIL PACKS SETUP



IGNITION HOOKUP - SINGLE COIL / DIST SETUP BOSCH MODULE



BOSCH MAGNETIC SENSOR (CRANK PICKUP)



IGN SETUP -

- CONFIG = 04 CYL/R
- TEETH GAS = -38 (HALF FLWHEEL TEETH)
- TDC REF GAS = 19.7 (SEE NOTE)
- DUELL TYPE = TIME
- PUMP DUELL = 3.50 MS

