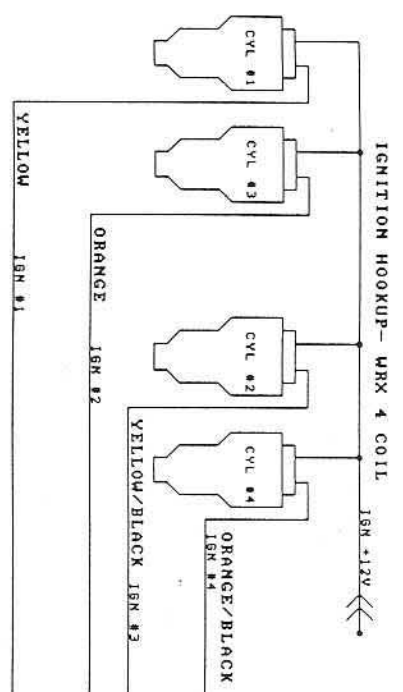
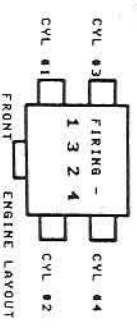
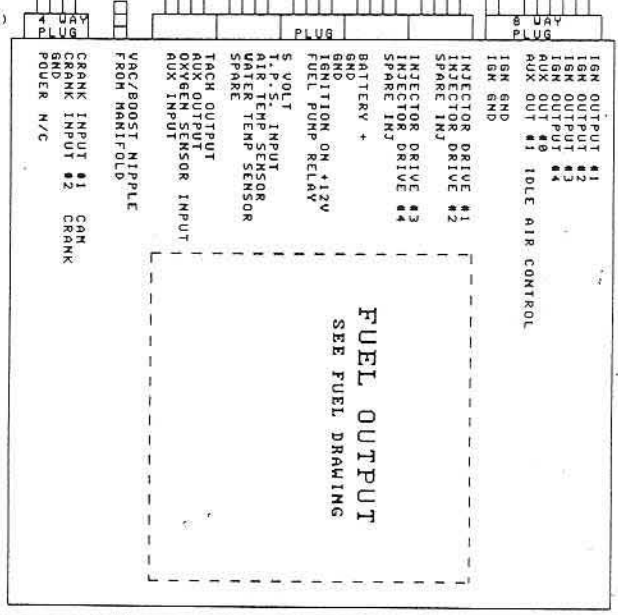
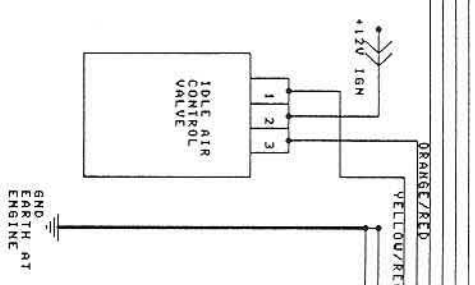
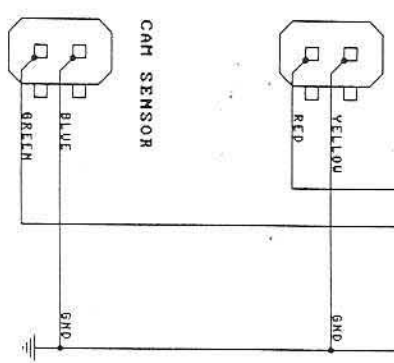


# MICROTECH MT-12 WRX SEQUENTIAL ENGINE MANAGEMENT SYSTEM



**IGN SETUP -**  
 CONFIG = #4 CYL/R  
 INPUT TRIG = +VE  
 OUTPUT TRIG = -VE  
 DUELL TYPE = 11RE  
 DUELL = 11RE MS  
 PUMP DUELL = 3.50 MS

## CAM AND CRANK SENSOR PICKUPS



## MT-12 WRX PIN-OUTS

IGN OUTPUT #1 (V)	IGN OUTPUT #2 (D)	IGN OUTPUT #3 (V/B)	IGN OUTPUT #4 (O/R)	AUX IDLE CONTROL 1 (Y/R)	AUX IDLE CONTROL 0 (O/R)	IGN OUTPUT #4 (O/B)
GND	GND	GND	GND	AUX OUTPUT	TACH OUTPUT	INJ CYL #1
INJ CYL #1	INJ CYL #2	SPARE INJ	SPARE INJ	INJ CYL #3	INJ CYL #4	T.P.S. +5V
FUEL PUMP	WATER TEMP	AIR TEMP	GND	T.P.S. 51B	SPARE	GND
BATT	AUX INPUT	MAP SENSOR	POWER N/C	IGN +12V	OXYGEN SENSOR	CRANK INP 2
GND	GND	GND	GND	GND	GND	CRANK INP 1

FUEL OUTPUT  
SEE FUEL DRAWING

## MICROTECH MT-12 WRX SEQUENTIAL

MT-12 WRX DIRECT FIRE

Size	Number	Revision
A3	1	2.0

DATE: 26-FEB-1998  
 DRAWN BY: DOH  
 CHECKED BY: DOH