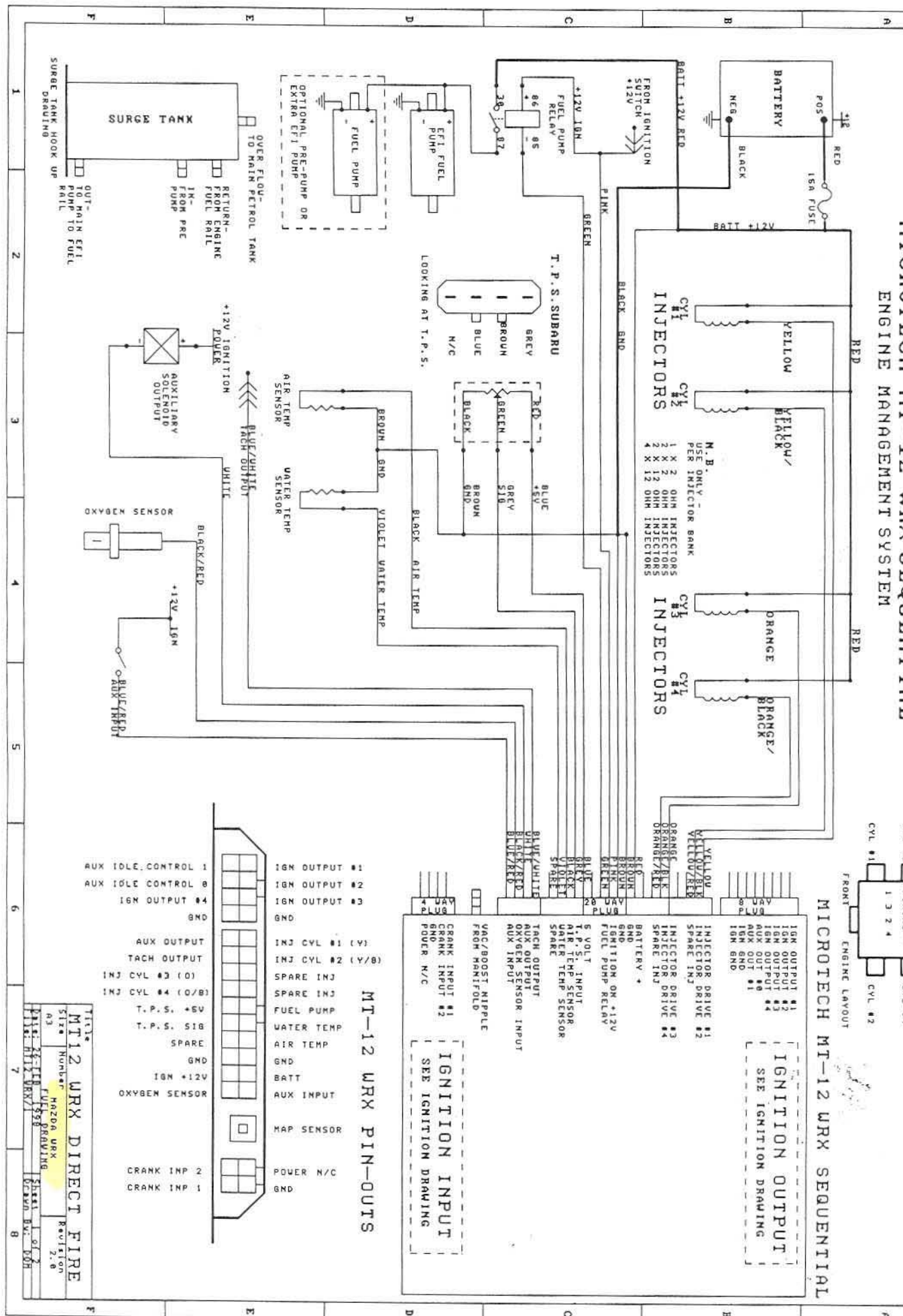


MICROTECH MT-12 WRX SEQUENTIAL ENGINE MANAGEMENT SYSTEM



IGNITION OUTPUT
SEE IGNITION DRAWING

IGNITION INPUT
SEE IGNITION DRAWING

MT-12 WRX PIN-OUTS

IGN OUTPUT #1	IGN OUTPUT #2	IGN OUTPUT #3	IGN OUTPUT #4	GND	AUX IDLE CONTROL 1	AUX IDLE CONTROL 0	IGN OUTPUT #4	GND	AUX OUTPUT	TACH OUTPUT	INJ CYL #3 (O)	INJ CYL #4 (O/B)	T.P.S. +5V	T.P.S. S1B	SPARE	GND	IGN +12V	OXYGEN SENSOR	CRANK INP 2	CRANK INP 1	
IGN OUTPUT #1	IGN OUTPUT #2	IGN OUTPUT #3	IGN OUTPUT #4	GND	AUX IDLE CONTROL 1	AUX IDLE CONTROL 0	IGN OUTPUT #4	GND	AUX OUTPUT	TACH OUTPUT	INJ CYL #3 (O)	INJ CYL #4 (O/B)	T.P.S. +5V	T.P.S. S1B	SPARE	GND	IGN +12V	OXYGEN SENSOR	CRANK INP 2	CRANK INP 1	
INJ CYL #1 (Y)	INJ CYL #2 (Y/B)	SPARE INJ	FUEL PUMP	WATER TEMP	AIR TEMP	GND	BATT	AUX INPUT	MAP SENSOR	POWER N/C	GND										

TITLE		MT-12 WRX DIRECT FIRE	
SIZE	Number	HAZDA WRX	Revision
A3	1	1/28/88	2.0
DRAWN		CHECKED	
BY: [Signature]		BY: [Signature]	
DATE: 11/11/88		DATE: 11/11/88	
BY: [Signature]		BY: [Signature]	
DATE: 11/11/88		DATE: 11/11/88	