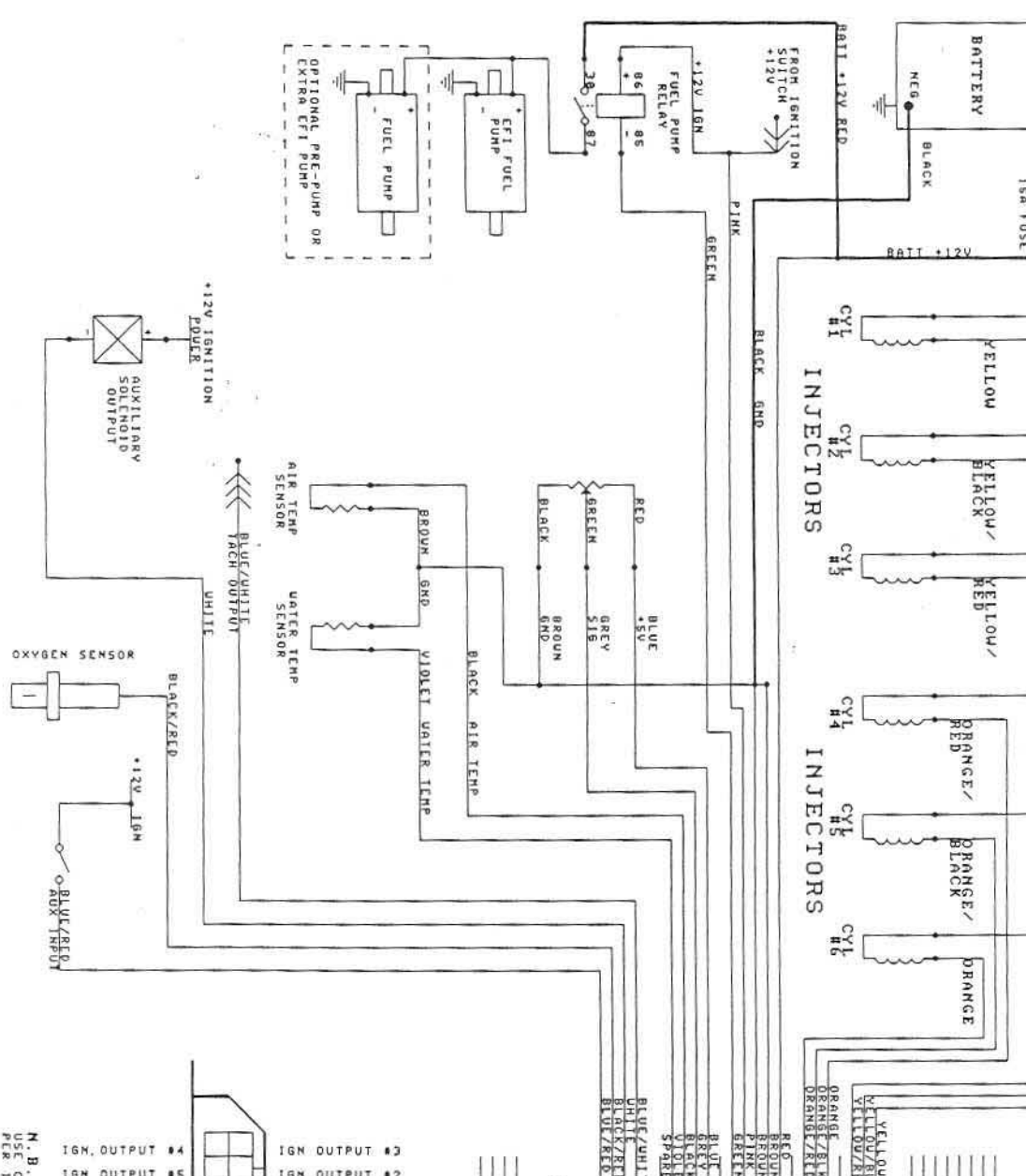


MICROTECH MT-12 6CYL SEQUENTIAL



IGNITION OUTPUT  
SEE IGNITION DRAWING

IGNITION INPUT  
SEE IGNITION DRAWING

MT-12 6 CYL PIN-OUTS

IGN OUTPUT #4	IGN OUTPUT #3	IGN OUTPUT #2	IGN OUTPUT #1
IGN OUTPUT #5	IGN OUTPUT #6	IGN #1	IGN #6
IGN OUTPUT #6	GND	IGN #3	IGN #3
AUX OUTPUT	AUX #2	IGN #4	FUEL PUMP
TACH OUTPUT	IGN #5	T.P.S. +5V	WATER TEMP
IGN #2	T.P.S. S10	SPARE	AIR TEMP
IGN #5	GND	IGN +12V	GND
T.P.S. +5V	OXYGEN SENSOR	CRANK INP 2	POWER N/C
T.P.S. S10		CRANK INP 1	GND
SPARE			
GND			
IGN +12V			
OXYGEN SENSOR			

N.B. USE ONLY PER INJECTOR BANK

1 X 2 OHM INJECTORS
2 X 2 OHM INJECTORS
2 X 12 OHM INJECTORS
4 X 12 OHM INJECTORS

TITLE	MT12 DIRECT FIRE
SIZE	A3
NUMBER	6 CYL
REVISION	2.0
DATE	7-20-00
BY	DRABING
CHECKED	DRABING
DATE	7-20-00
BY	DRABING